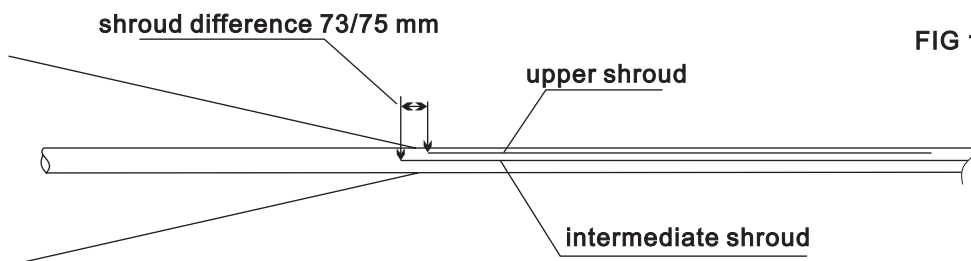




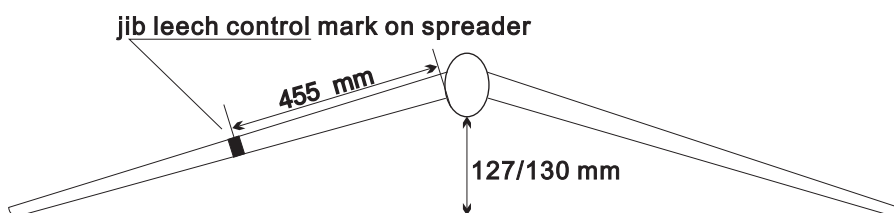
Star tuning guide

FIG 1

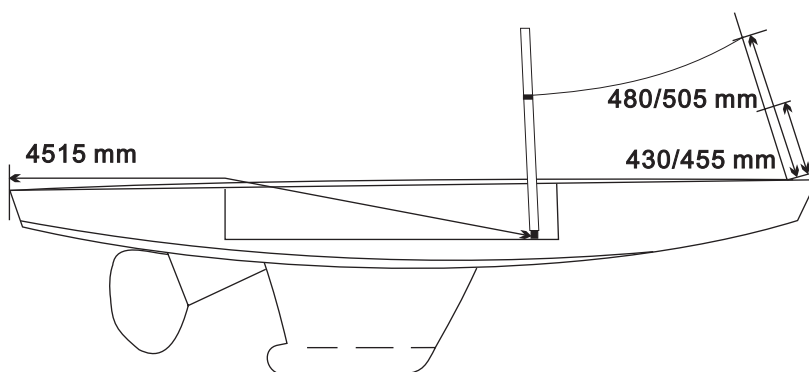
Shrouds setup



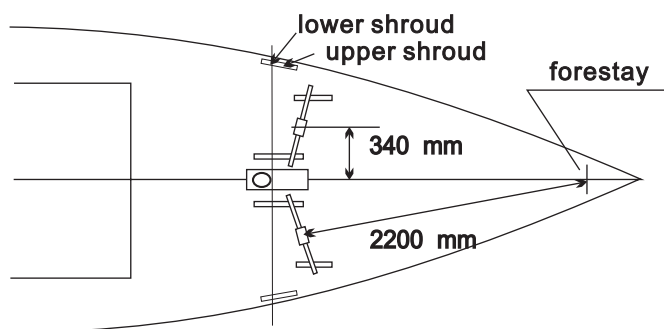
Spreaders setup



Butt and rake setup



Jib lead and shrouds cars setup



Shrouds tension (Loss PT-1 model / Stamaster turnbuckles)

All tensions to be checked with upper runners at 10 and no lowers

TWS	under 8 kn	8/12 kn	12/16 kn	16 up
UPPERS	21 / 22	21 / 22	+4/6 of turn	+1,5 turn
LOWERS	-1/2 turn	25 -2,5 turn	+1/2 turn	+1 turn

base setting